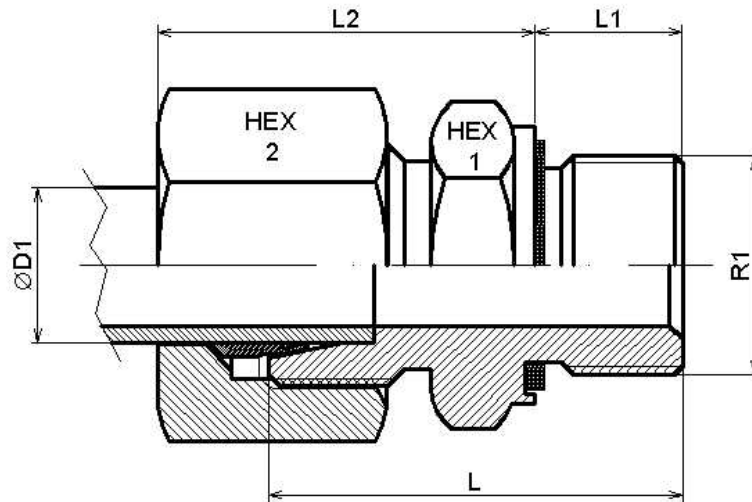


Straight male stud coupling BSP cylindrical with captive seal

Stainless Steel AISI 316-L



Part n°	ØD1	Serie	R1	Working Pressure (bar)	L	L1	L2	HEX 1	HEX 2
Z AL 6 R 1/8WD	6	L	1/8"BSP	315	23,5	8	23,5	14	14
Z AL 6 R 1/4WD	6	L	1/4"BSP	315	29	12	25	19	14
Z AL 6 R 3/8WD	6	L	3/8"BSP	315					
Z AL 8 R 1/8WD	8	L	1/8"BSP	315	24,5	8	24,5	14	17
Z AL 8 R 1/4WD	8	L	1/4"BSP	315	29	12	25	19	17
Z AL 8 R 3/8WD	8	L	3/8"BSP	315	30,5	12	26,5	22	17
Z AL 8 R 1/2WD	8	L	1/2"BSP	315					
Z AL 10 R 1/8WD	10	L	1/8"BSP	315					
Z AL 10 R 1/4WD	10	L	1/4"BSP	315	30	12	26	19	19
Z AL 10 R 3/8WD	10	L	3/8"BSP	315	31,5	12	27,5	22	19
Z AL 10 R 1/2WD	10	L	1/2"BSP	315	34	14	28	27	19
Z AL 12 R 1/4WD	12	L	1/4"BSP	315	31	12	27	19	22
Z AL 12 R 3/8WD	12	L	3/8"BSP	315	31,5	12	27,5	22	22
Z AL 12 R 1/2WD	12	L	1/2"BSP	315	34	14	28	27	22
Z AL 15 R 3/8WD	15	L	3/8"BSP	315	32,5	12	28,5	24	27
Z AL 15 R 1/2WD	15	L	1/2"BSP	315	35	14	29	27	27
Z AL 15 R 3/4WD	15	L	3/4"BSP	315					
Z AL 18 R 1/2WD	18	L	1/2"BSP	315	36	14	31	27	32
Z AL 18 R 3/4WD	18	L	3/4"BSP	315	38	16	31	32	32
Z AL 22 R 1/2WD	22	L	1/2"BSP	160					
Z AL 22 R 3/4WD	22	L	3/4"BSP	160	40	16	33	32	36
Z AL 22 R 1WD	22	L	1"BSP	160					
Z AL 28 R 3/4WD	28	L	3/4"BSP	160					
Z AL 28 R 1WD	28	L	1"BSP	160	43	18	34	41	41
Z AL 35 R 1WD	35	L	1"BSP	160					
Z AL 35 R 1 1/4WD	35	L	1"1/4BSP	160	48	20	39	50	50
Z AL 42 R 1 1/2WD	42	L	1"1/2BSP	160	52	22	42	55	60

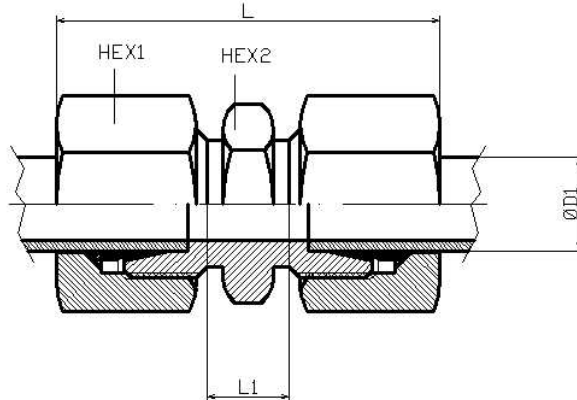
Straight male stud coupling BSP cylindrical with captive seal

Stainless Steel AISI 316-L

Part n°	ØD1	Serie	R1	Working Pressure (bar)	L	L1	L2	HEX 1	HEX 2
Z AS 6 R 1/4WD	6	S	1/4"BSP	630	32	12	28	19	17
Z AS 8 R 1/4WD	8	S	1/4"BSP	630	34	12	30	19	19
Z AS 8 R 3/8WD	8	S	3/8"BSP	630	34,5	12	30,5	22	19
Z AS 8 R 1/2WD	8	S	1/2"BSP	630					
Z AS 10 R 1/4WD	10	S	1/4"BSP	630	34	12	31	19	22
Z AS 10 R 3/8WD	10	S	3/8"BSP	630	34,5	12	31,5	22	22
Z AS 10 R 1/2WD	10	S	1/2"BSP	630	39	14	34	27	22
Z AS 12 R 1/4WD	12	S	1/4"BSP	630	36	12	33	22	24
Z AS 12 R 3/8WD	12	S	3/8"BSP	630	36,5	12	33,5	22	24
Z AS 12 R 1/2WD	12	S	1/2"BSP	630	39	14	34	27	24
Z AS 14 R 3/8WD	14	S	3/8"BSP	630					
Z AS 14 R 1/2WD	14	S	1/2"BSP	630	41	14	37	27	27
Z AS 16 R 3/8WD	16	S	3/8"BSP	400	38,5	12	36,5	27	30
Z AS 16 R 1/2WD	16	S	1/2"BSP	400	41	14	37	27	30
Z AS 16 R 3/4WD	16	S	3/4"BSP	400	45	16	39	32	30
Z AS 20 R 1/2WD	20	S	1/2"BSP	400					
Z AS 20 R 3/4WD	20	S	3/4"BSP	400	47	16	42	32	36
Z AS 25 R 3/4WD	25	S	3/4" BSP	400	51	16	47	41	46
Z AS 25 R 1WD	25	S	1"BSP	400	53	18	47	41	46
Z AS 25 R 1 1/4WD	25	S	1"1/4BSP	400					
Z AS 30 R 1WD	30	S	1"BSP	400					
Z AS 30 R 1 1/4WD	30	S	1"1/4 BSP	400	57	20	50	50	50
Z AS 30 R 1 1/2WD	30	S	1"1/2BSP	400					
Z AS 38 R 1 1/4WD	38	S	1"1/4BSP	315					
Z AS 38 R 1 1/2WD	38	S	1"1/2BSP	315	64	22	57	55	60

Straight coupling

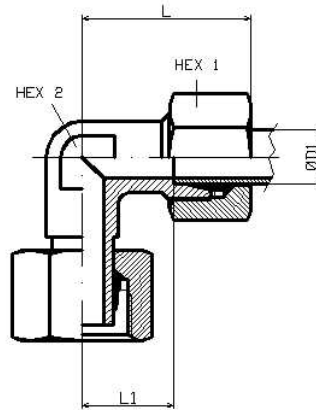
Stainless Steel AISI 316-L



Part n°	ØD1	Serie	Working Pressure (bar)	L	L1	HEX 1	HEX 2
Z DLL 4	4	LL	100	31	12.0	10	9
Z DLL 6	6	LL	100	32	9.0	12	11
Z DLL 8	8	LL	100	35	12.0	14	12
Z DL 6	6	L	315	39.0	10.0	14	12
Z DL 8	8	L	315	40.0	11.0	17	14
Z DL 10	10	L	315	42.0	13.0	19	17
Z DL 12	12	L	315	43.0	14.0	22	19
Z DL 15	15	L	315	46.0	16.0	27	24
Z DL 18	18	L	315	48.0	16.0	32	27
Z DL 22	22	L	160	52.0	20.0	36	32
Z DL 28	28	L	160	54.0	21.0	41	41
Z DL 35	35	L	160	63.0	20.0	50	46
Z DL 42	42	L	160	66.0	21.0	60	55
Z DS 6	6	S	630	45.0	16.0	17	14
Z DS 8	8	S	630	47.0	18.0	19	17
Z DS 10	10	S	630	49.0	17.0	22	19
Z DS 12	12	S	630	51.0	19.0	24	22
Z DS 14	14	S	630	57.0	22.0	27	24
Z DS 16	16	S	400	57.0	21.0	30	27
Z DS 20	20	S	400	66.0	23.0	36	32
Z DS 25	25	S	400	74.0	26.0	46	41
Z DS 30	30	S	400	80.0	27.0	50	46
Z DS 38	38	S	315	90.0	29.0	60	55

Equal elbow coupling

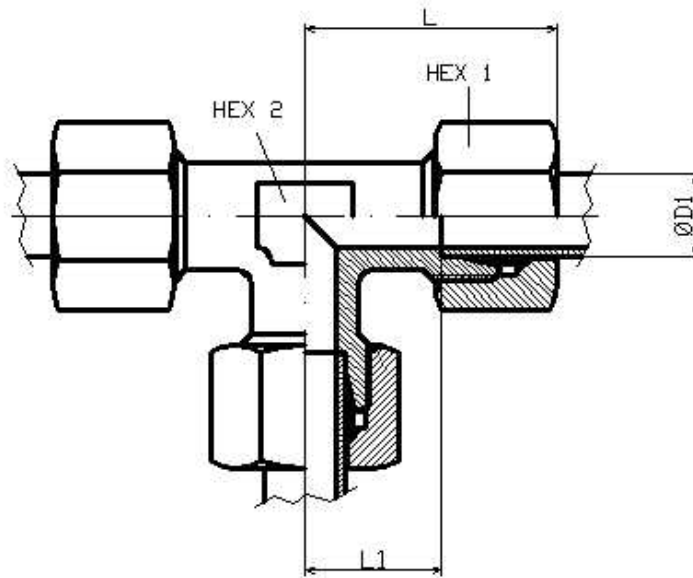
Stainless Steel AISI 316-L



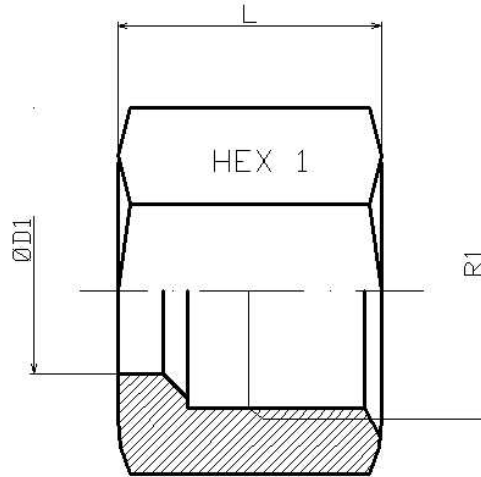
Part n°	ØD1	Serie	Working Pressure (bar)	L	L1	HEX 1	HEX 2
Z ELL 4	4	LL	100	21.0	11	10	9
Z ELL 6	6	LL	100	21.0	9,5	12	9
Z ELL 8	8	LL	100	23.0	11,5	14	12
Z EL 6	6	L	315	27.0	12	14	12
Z EL 8	8	L	315	29.0	14	17	12
Z EL 10	10	L	315	30.0	15	19	14
Z EL 12	12	L	315	32.0	17	22	17
Z EL 15	15	L	315	36.0	21	27	19
Z EL 18	18	L	315	40.0	23,5	32	24
Z EL 22	22	L	160	44.0	27,5	36	27
Z EL 28	28	L	160	47.0	30,5	41	36
Z EL 35	35	L	160	56.0	34,5	50	41
Z EL 42	42	L	160	63.0	40	60	50
Z ES 6	6	S	630	31.0	16	17	12
Z ES 8	8	S	630	31.0	17	19	14
Z ES 10	10	S	630	34.0	17,5	22	17
Z ES 12	12	S	630	38.0	21,5	24	17
Z ES 14	14	S	630	40.0	22	27	19
Z ES 16	16	S	400	43.0	24,5	30	24
Z ES 20	20	S	400	48.0	26,5	36	27
Z ES 25	25	S	400	54.0	30	46	36
Z ES 30	30	S	400	62.0	35,5	50	41
Z ES 38	38	S	315	72.0	41	60	50

Equal Tee

Stainless Steel AISI 316-L



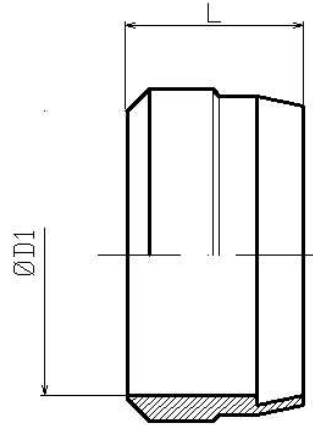
Part n°	ØD1	Serie	Working Pressure (bar)	L	L1	HEX 1	HEX 2
Z TLL 4	4	LL	100	21.0	11.0	10	9
Z TLL 6	6	LL	100	21.0	9.5	12	9
Z TLL 8	8	LL	100	23.0	11.5	14	12
Z TL 6	6	L	315	27.0	12.0	14	12
Z TL 8	8	L	315	29.0	14.0	17	12
Z TL 10	10	L	315	30.0	15.0	19	14
Z TL 12	12	L	315	32.0	17.0	22	17
Z TL 15	15	L	315	36.0	21.0	27	19
Z TL 18	18	L	315	40.0	23.5	32	24
Z TL 22	22	L	160	44.0	27.5	36	27
Z TL 28	28	L	160	47.0	30.5	41	36
Z TL 35	35	L	160	56.0	34.5	50	41
Z TL 42	42	L	160	63.0	40.0	60	50
Z TS 6	6	S	630	31.0	16.0	17	12
Z TS 8	8	S	630	32.0	17.0	19	14
Z TS 10	10	S	630	34.0	17.5	22	17
Z TS 12	12	S	630	38.0	21.5	24	17
Z TS 14	14	S	630	40.0	22.0	27	19
Z TS 16	16	S	400	43.0	24.5	30	24
Z TS 20	20	S	400	48.0	26.5	36	27
Z TS 25	25	S	400	54.0	30.0	46	36
Z TS 30	30	S	400	62.0	35.5	50	41
Z TS 38	38	S	315	72.0	41	60	50



Part n°	ØD1	Serie	R1	Working Pressure (bar)	L	HEX 1
Z MLL 4	4	LL	M8X1	100	11	10
Z MLL 6	6	LL	M10X1	100	11,5	12
Z MLL 8	8	LL	M12X1	100	12	14
Z ML 6	6	L	M12X1.5	315	14,5	14
Z ML 8	8	L	M14X1.5	315	14,5	17
Z ML 10	10	L	M16X1.5	315	15,5	19
Z ML 12	12	L	M18X1.5	315	15,5	22
Z ML 15	15	L	M22X1.5	315	17	27
Z ML 18	18	L	M26X1.5	315	18	32
Z ML 22	22	L	M30X2	160	20	36
Z ML 28	28	L	M36X2	160	21	41
Z ML 35	35	L	M45X2	160	24	50
Z ML 42	42	L	M52X2	160	24	60
Z MS 6	6	S	M14X1.5	630	16,5	17
Z MS 8	8	S	M16X1.5	630	16,5	19
Z MS 10	10	S	M18X1.5	630	17,5	22
Z MS 12	12	S	M20X1.5	630	17,5	24
Z MS 14	14	S	M22X1.5	630	20,5	27
Z MS 16	16	S	M24X1.5	400	20,5	30
Z MS 20	20	S	M30X2	400	24	36
Z MS 25	25	S	M36X2	400	27	46
Z MS 30	30	S	M42X2	400	29	50
Z MS 38	38	S	M52X2	315	32,5	60

Cutting rings DIN 3861

Stainless Steel AISI 316-L



Part nº	ØD1	Serie	Working Pressure (bar)	L
Z ACLL 4	4	LL	100	6
Z ACLL 6	6	LL	100	7
Z ACLL 8	8	LL	100	7
Z ACL 6	6	L/S	630	9
Z ACL 8	8	L/S	630	9
Z ACL 10	10	L/S	630	10
Z ACL 12	12	L/S	630	10
Z ACL 15	15	L	315	10
Z ACL 18	18	L	315	10
Z ACL 22	22	L	160	10,5
Z ACL 28	28	L	160	10,5
Z ACL 35	35	L	160	13
Z ACL 42	42	L	160	13,5
Z ACS 14	14	S	630	10
Z ACS 16	16	S	400	10,5
Z ACS 20	20	S	400	12,5
Z ACS 25	25	S	400	12,5
Z ACS 30	30	S	400	13
Z ACS 38	38	S	315	13,5